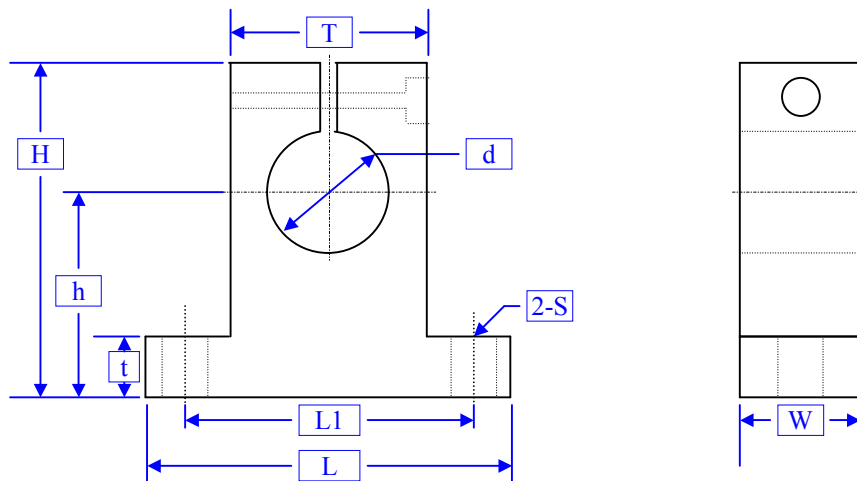


As ondersteuning / Shaft Support / Wellenunterstützung



(mm)									
Model	Ø d	h	L	W	H	T	L1	Ø S	t
AO-12	12	23	42	14	37.5	20	32	5.5	6
AO-16	16	27	48	16	44	25	38	5.5	8
AO-20	20	31	60	20	51	30	45	6.6	10
AO-25	25	35	70	24	60	38	56	6.6	12
AO-30	30	42	84	28	70	44	64	9	12