

2 Phase hybride stappenmotor / 2 Phase hybride steppermotor

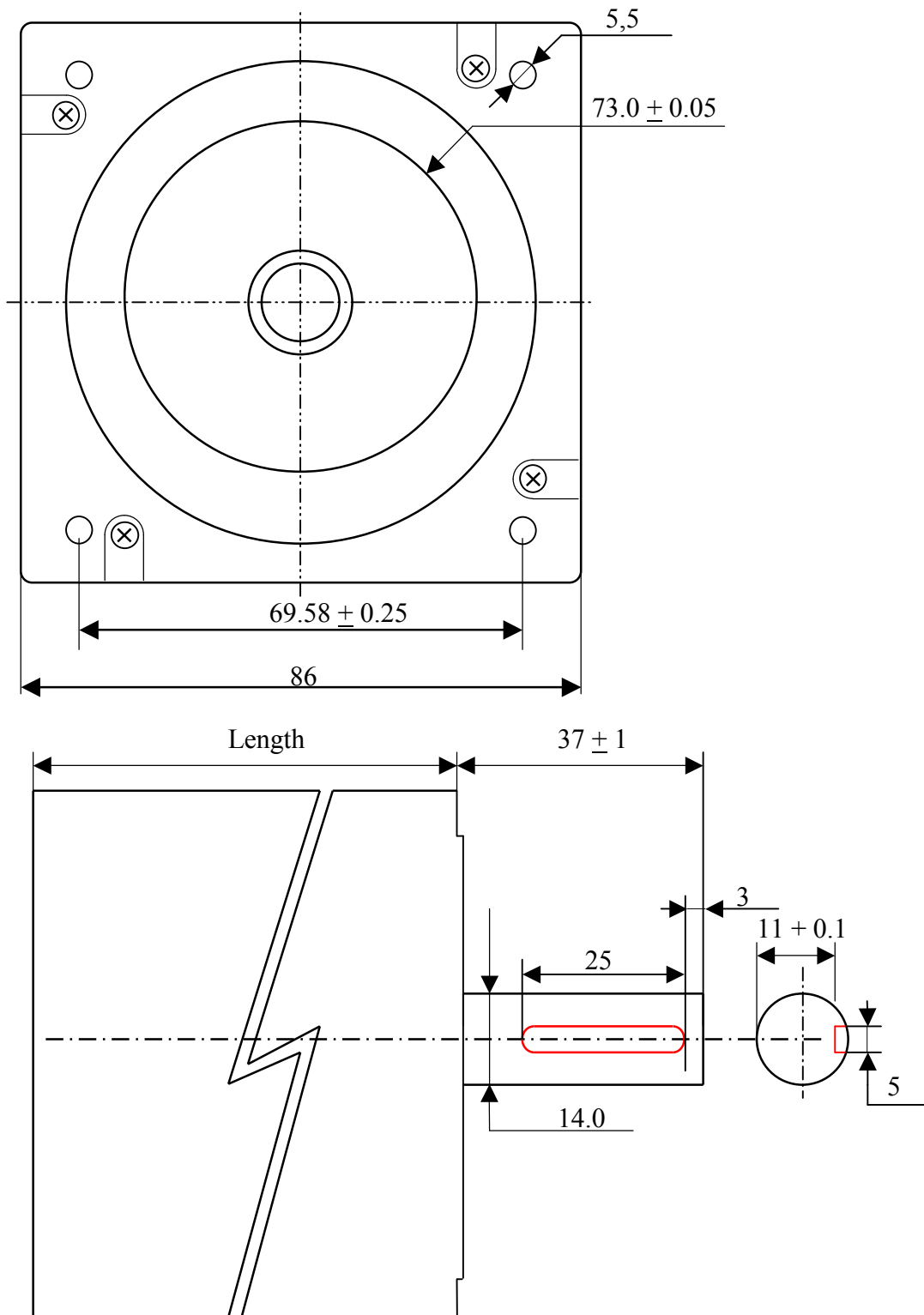
Moteur hybride pas à pas 2 phases / 2 Phase hybride Schrittmotor

Size 34 Series

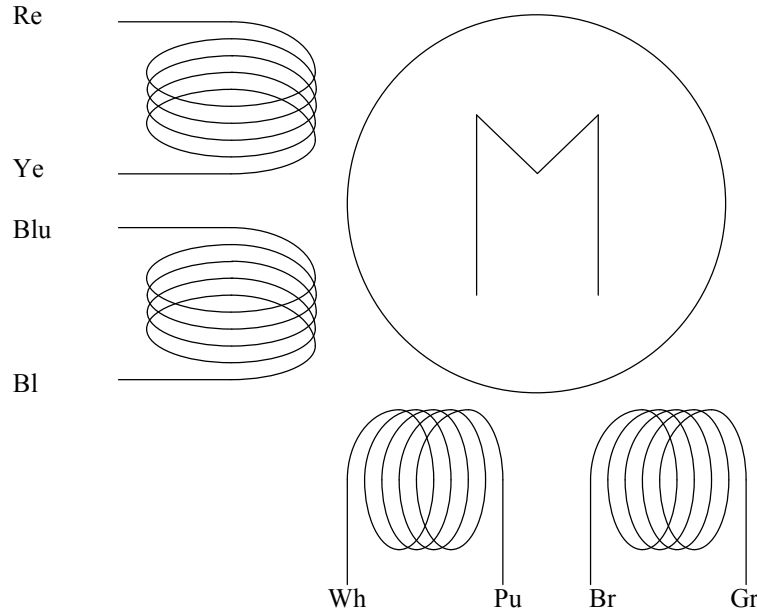
Step Angle : 1.8 Degree
 Positional Accuracy : 5%
 Number of phases : 2
 Temperature rise : 80 degree max.
 Dielectric strength : 500 Vdc
 Insulation resistance : 100 Mohm (500 Vdc)
 Insulation class : B
 Radial play : 0.025 mm (450 g load)

| | N | A | Ohm | V | mH | gcm2 | Kg | mm |
|-----------------------|-----|-----|------|-----|-----|------|-----|-----|
| 34SM114-063-8W-SB-6.4 | 6.4 | 3.2 | 0.33 | 1.0 | 2.5 | 2900 | 3.5 | 114 |

| | | | | |
|---------------|------------------------|--------------------------|-------------------------|-------------------------|
| N (Nm) | = Koppel | = Torque | = Haltemoment | = couple |
| A (Ampere) | = Stroom / spoel | = Current / coil | = Strom / spule | = le courant / bobine |
| Ohm (Ohm) | = Weerstand / spoel | = Resistance / coil | = wiederstand / spule | = resistance / bobine |
| V (Volt) | = Spanning / spoel | = Voltage / coil | = spannung / spule | = tension / bobine |
| MH (mH) | = Zelfinductie / spoel | = Selfinduction / coil | = Selfinduction / spule | = l'inductance / bobine |
| Gcm2 (Gcm2) | = Rotor inertia | = Rotor inertia | = Rotor inertia | = le inertia de rotor |
| Kg (Kg) | = Gewicht van motor | = Weight of steppermotor | = Motorgewicht | = le poids de moteur |
| Mm (mm) | = Lengte van motor | = Length of steppermotor | = Motor länge | = la longueur de moteur |



Draden / wires / leitungen / fils



| | | | | |
|-----|---------|----------|---------|---------|
| Re | = Rood | = Red | = Rot | = Rouge |
| Ye | = Geel | = Yellow | = Gelb | = Jaune |
| Blu | = Blauw | = Blue | = Blau | = Bleu |
| Bl | = Zwart | = Black | = Zwart | = Noir |

| | | | | |
|----|---------|----------|-------------|-----------|
| Wh | = Wit | = White | = Weiss | = Blanc |
| Pu | = Paars | = Purple | = Purpurrot | = Pourpre |
| Br | = Bruin | = Braun | = Braun | = Brun |
| Gr | = Groen | = Green | = Grün | = Vert |

Aansluitingen / Wiring / anslusse / les raccordements

| | | |
|---------------------|--|--|
| Bipolair Parallel : | Motor Re + Blu → Ye + Bl → Wh + Br → Pu + Gr → | Driver A+ A- B+ B- |
| Maximum torque | = maximum torque | |
| Maximum current | = 2 * Current / coil | |
| Self induction | = Induction / coil | |

| | | |
|--------------------|--|--|
| Bipolair Serieel : | Motor Re → Ye + Blu Bl → Wh → Pu + Br Gr → | Driver A+ A- B+ B- |
| Maximum torque | = maximum torque | |
| Maximum current | = Current / coil | |
| Self induction | = 4 * Induction / coil | |

| | | |
|-----------------|--|--|
| Unipolair : | Motor Re → Ye + Blu Bl → Wh → Pu + Br Gr → | Driver A+ + V → A- B+ +V B- |
| Maximum torque | = maximum torque / 1.4 | |
| Maximum current | = 1.4 * Current / coil | |
| Self induction | = Induction / coil | |