

## 2 Phase hybride stappenmotor / 2 Phase hybride steppermotor

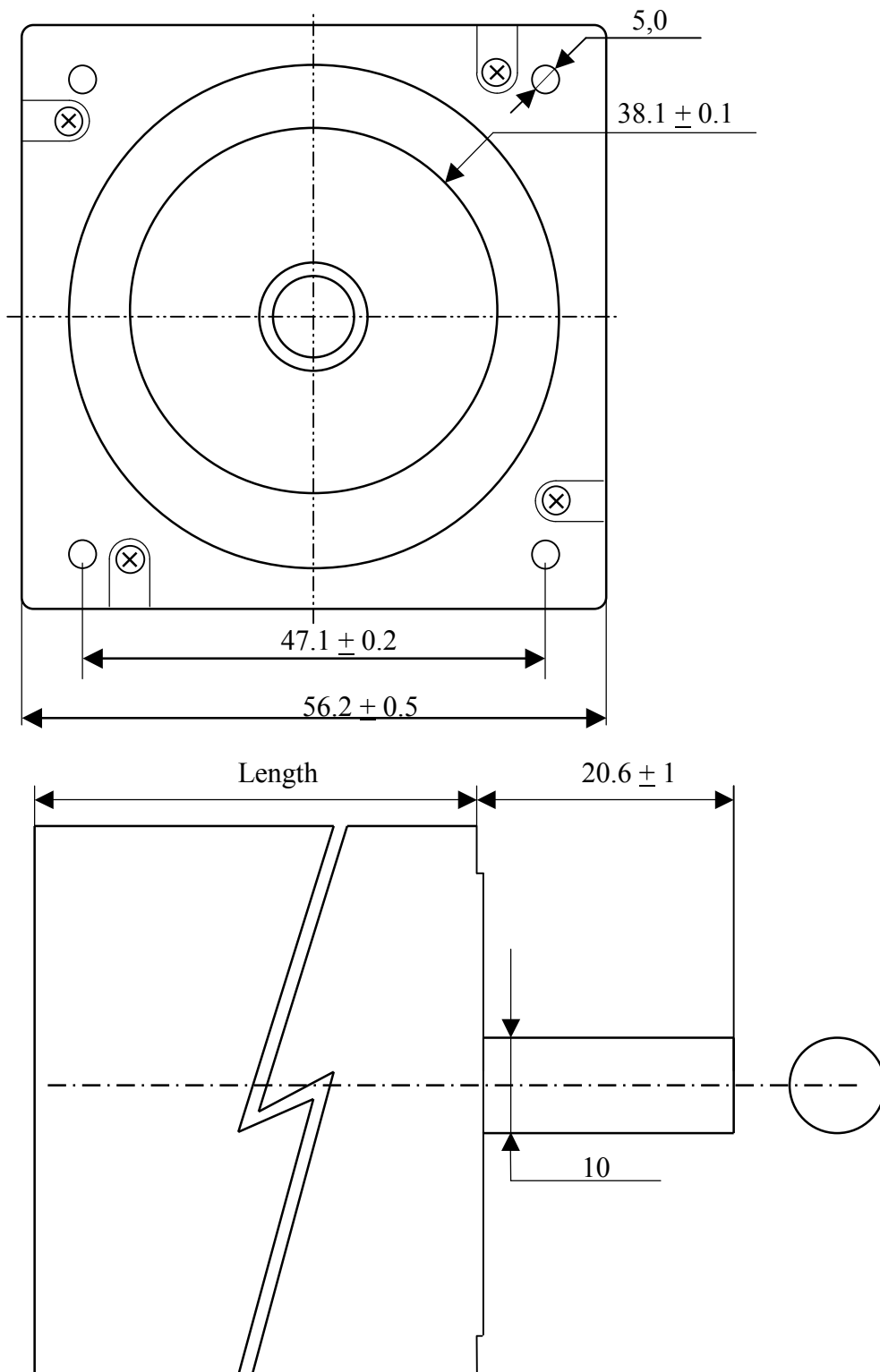
### Moteur hybride pas à pas 2 phases / 2 Phase hybride Schrittmotor

#### Size 23 Series

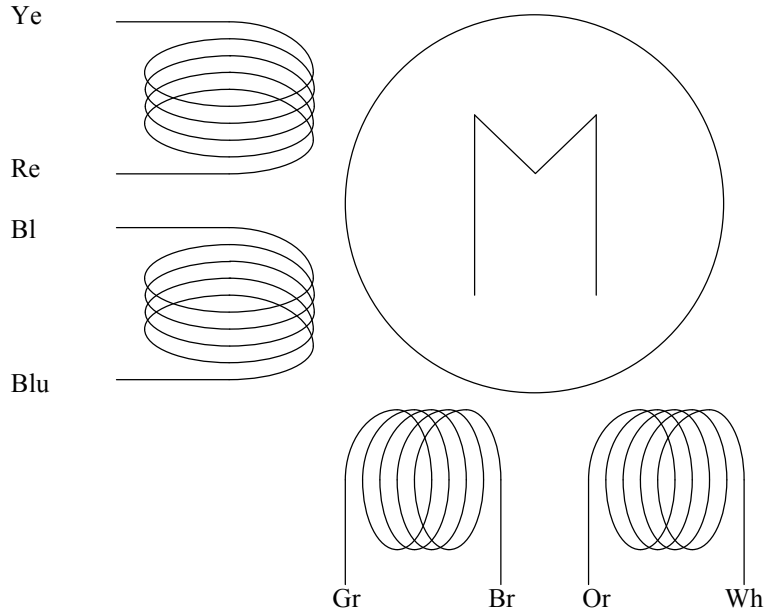
Step Angle : 1.8 Degree  
 Positional Accuracy : 5%  
 Number of phases : 2  
 Temperature rise : 80 degree max.  
 Dielectric strength : 500 Vdc  
 Insulation resistance : 100 Mohm ( 500 Vdc )  
 Insulation class : B  
 Radial play : 0.025 mm ( 450 g load )

	N	A	Ohm	V	mH	gcm2	Kg	mm
23SM100-030-8W-S-2.0	2.0	1.5	1.4	2.1	3.0	680	1.5	100
23SM110-030-8W-S-2.5	2.5	1.5	1.5	2.3	3.8	800	1.7	110

N ( Nm )	= Koppel	= Torque	= Haltemoment	= couple
A ( Ampere )	= Stroom / spoel	= Current / coil	= Strom / spule	= le courant / bobine
Ohm ( Ohm )	= Weerstand / spoel	= Resistance / coil	= wiederstand / spule	= resistance / bobine
V ( Volt )	= Spanning / spoel	= Voltage / coil	= spannung / spule	= tension / bobine
MH ( mH )	= Zelfinductie / spoel	= Selfinduction / coil	= Selfinduction / spule	= l'inductance / bobine
Gcm2 ( Gcm2 )	= Rotor inertia	= Rotor inertia	= Rotor inertia	= le inertia de rotor
Kg ( Kg )	= Gewicht van motor	= Weight of steppermotor	= Motorgewicht	= le poids de moteur
Mm ( mm )	= Lengte van motor	= Length of steppermotor	= Motor länge	= la longueur de moteur



# Draden / wires / leitungen / fils



Ye	= Geel	= Yellow	= Gelb	= Jaune
Re	= Rood	= Red	= Rot	= Rouge
Bl	= Zwart	= Black	= Zwart	= Noir
Blu	= Blauw	= Blue	= Blau	= Bleu
Gr	= Groen	= Green	= Grün	= Vert
Br	= Bruin	= Braun	= Braun	= Brun
Or	= Oranje	= Orange	= Orange	= Orange
Wh	= Wit	= White	= Weiss	= Blanc

## Aansluitingen / Wiring / Anslusse / Les raccordements

Bipolair Parallel :	Motor		Driver
	Ye + Bl	→	A+
	Re + Blu	→	A-
	Gr + Or	→	B+
	Br + Wh	→	B-
Maximum torque	= maximum torque		
Maximum current	= 2 * Current / coil		
Self induction	= Induction / coil		

Bipolair Serieel :	Motor		Driver
	Ye	→	A+
	Re + Bl		
	Blu	→	A-
	Gr	→	B+
	Br + Or		
	Wh	→	B-
Maximum torque	= maximum torque		
Maximum current	= Current / coil		
Self induction	= 4 * Induction / coil		

Unipolair :	Motor		Driver
	Ye	→	A+
	Re + Bl	→	+ V
	Blu	→	A-
	Gr	→	B+
	Br + Or	→	+V
	Wh	→	B-
Maximum torque	= maximum torque / 1.4		
Maximum current	= 1.4 * Current / coil		
Self induction	= Induction / coil		