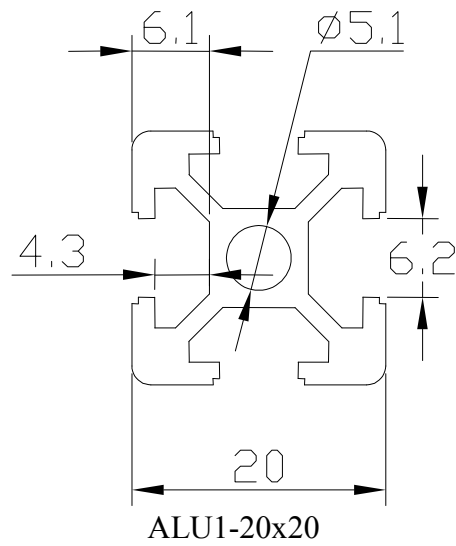
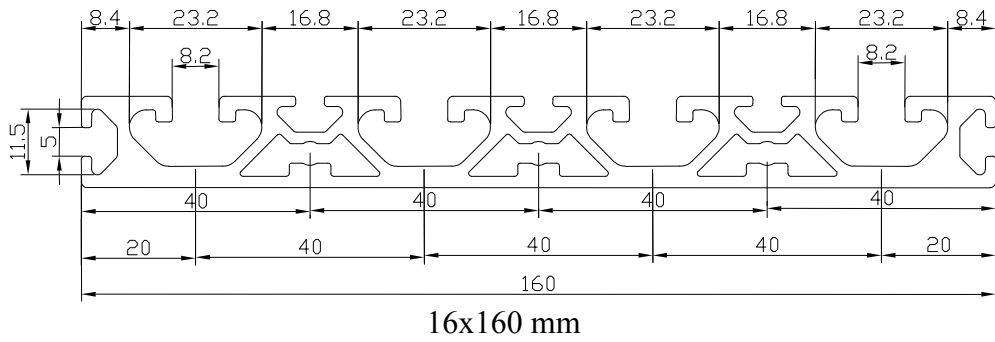
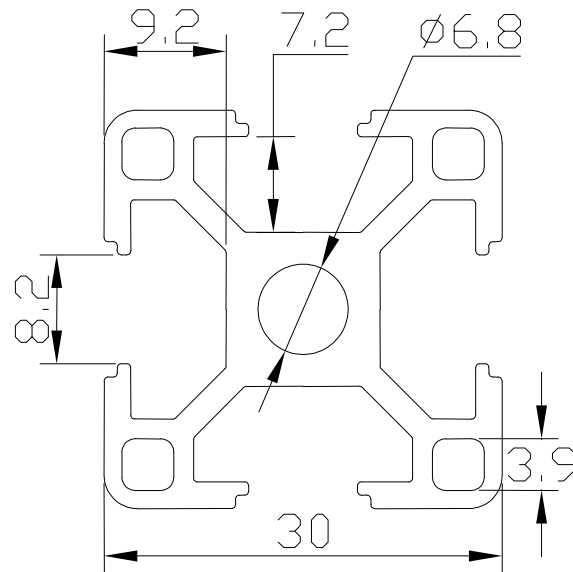


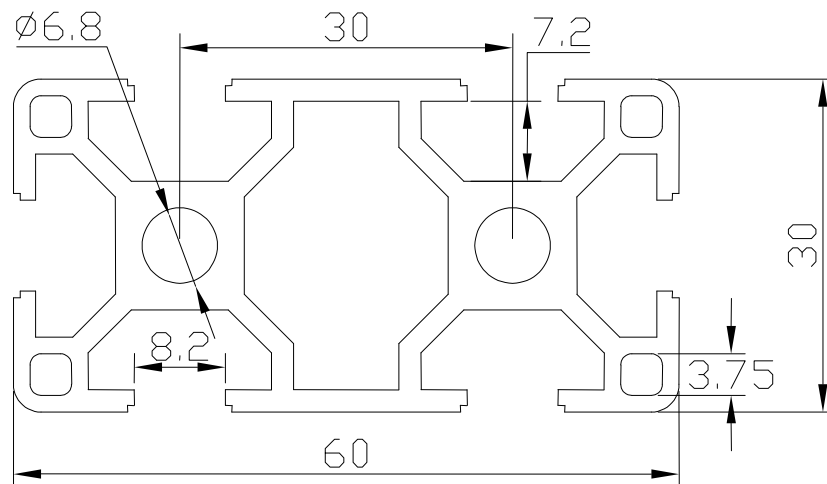
Aluminium cnc profiel / Aluminium cnc profile / Aluminium CNC Profile / L'aluminium CNC profil
V 1.5 DD 17-11-2013



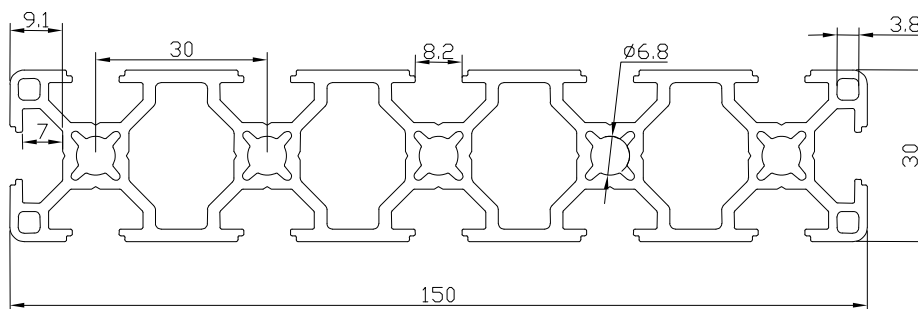


ALU1-30x30

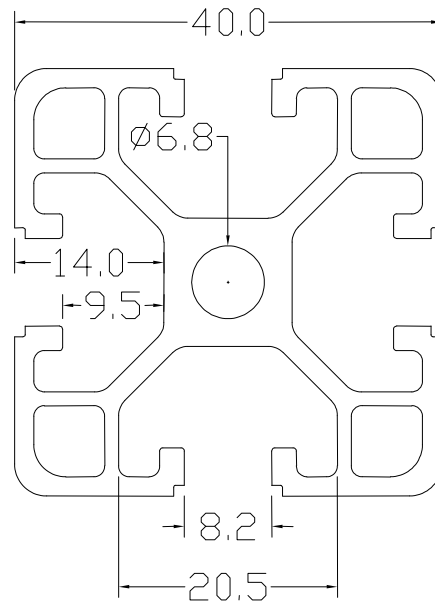
$I_x = 2.85 \text{ cm}^4$ $I_y = 2.85 \text{ cm}^4$
 $Z_x = 1.8 \text{ cm}^3$ $Z_y = 1.8 \text{ cm}^3$
 $m = 0.95 \text{ kg/m}$



ALU1-30x60

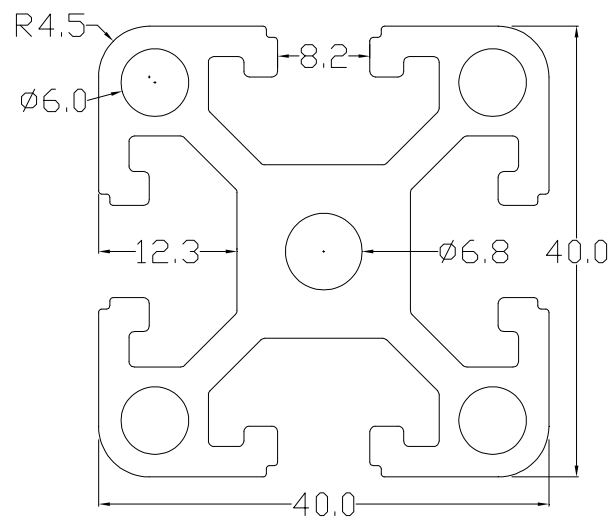


ALU1-30x150



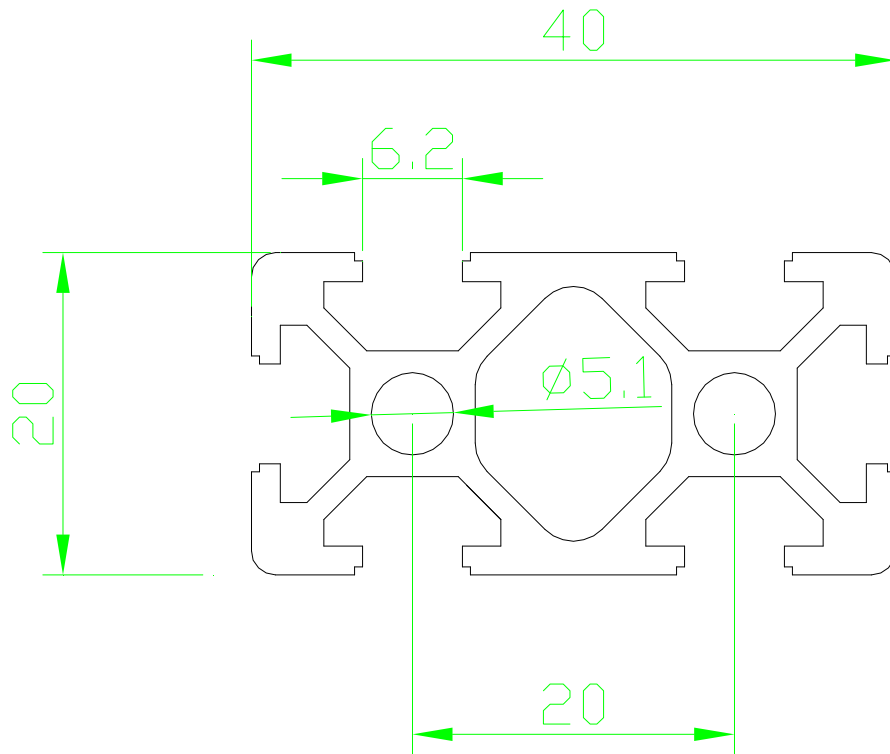
ALU1-40x40L

$I_x = 9.25 \text{ cm}^4$ $I_y = 9.25 \text{ cm}^4$ $Z_x = 4.86 \text{ cm}^3$ $Z_y = 4.86 \text{ cm}^3$
 $m = 1.42 \text{ kg/m}$

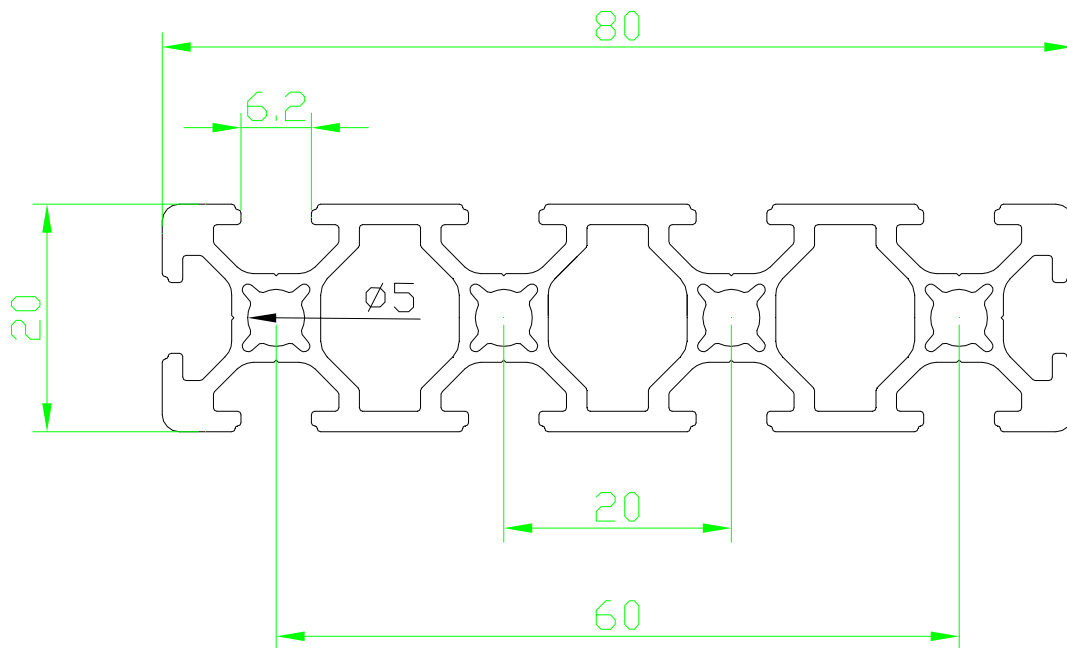


ALU1-40x40N

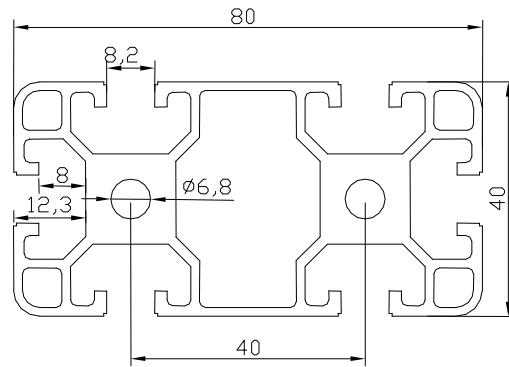
$I_x = 10.2 \text{ cm}^4$ $I_y = 10.2 \text{ cm}^4$ $Z_x = 5.32 \text{ cm}^3$ $Z_y = 5.32 \text{ cm}^3$
 $m = 1.9 \text{ kg/m}$



ALU1-20x40

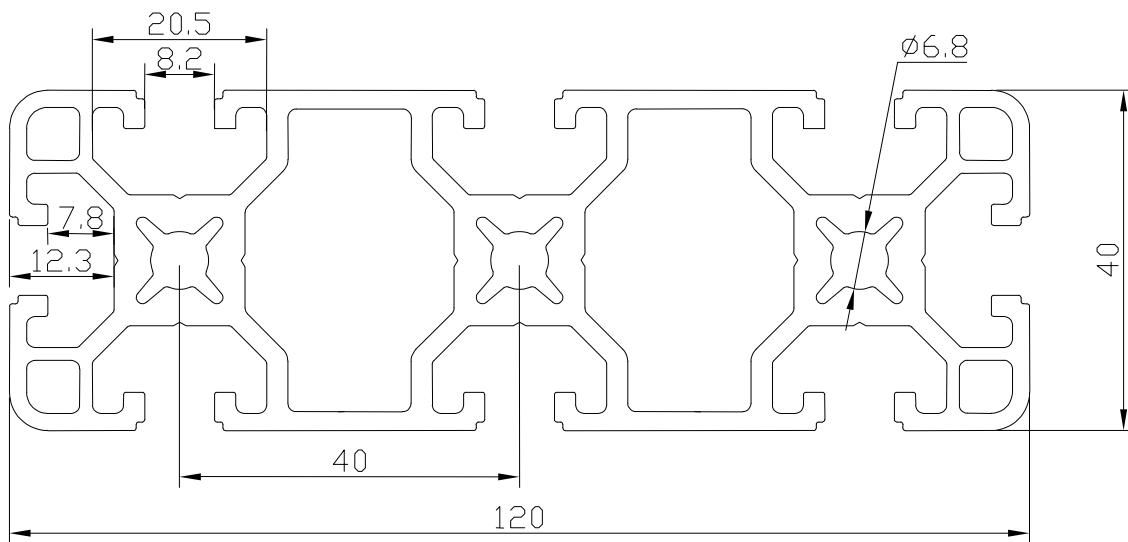


ALU1-20x80

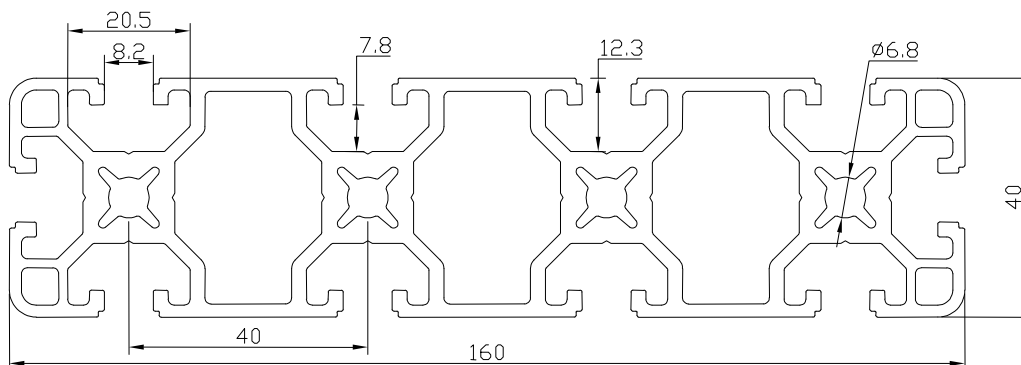


ALU1-40x80

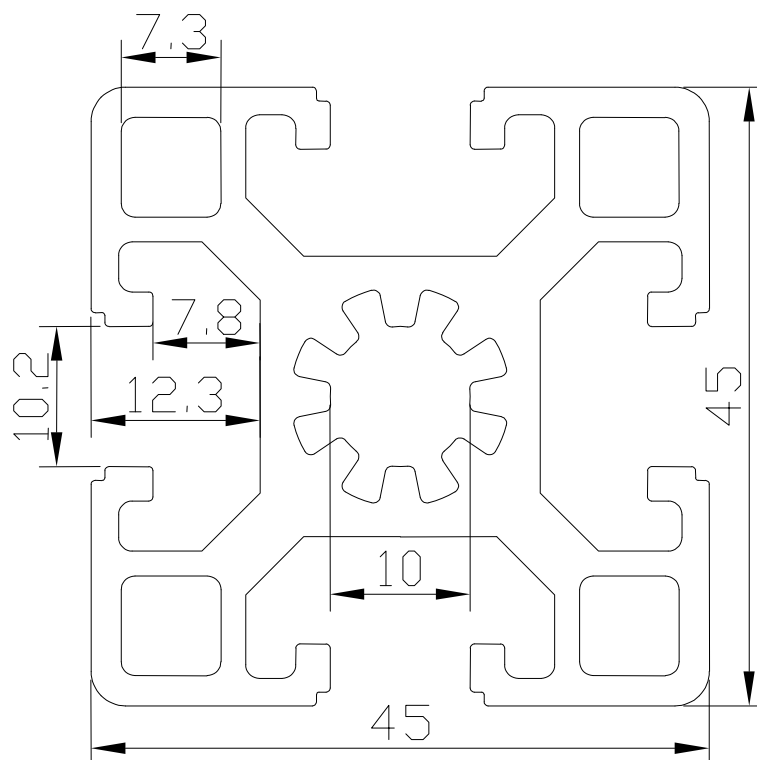
$I_x = 74.8 \text{ cm}^4$ $I_y = 21.6 \text{ cm}^4$ $Z_x = 17.4 \text{ cm}^3$ $Z_y = 8.7 \text{ cm}^3$
 $M = 3.2 \text{ kg/m}$



ALU1-40x120

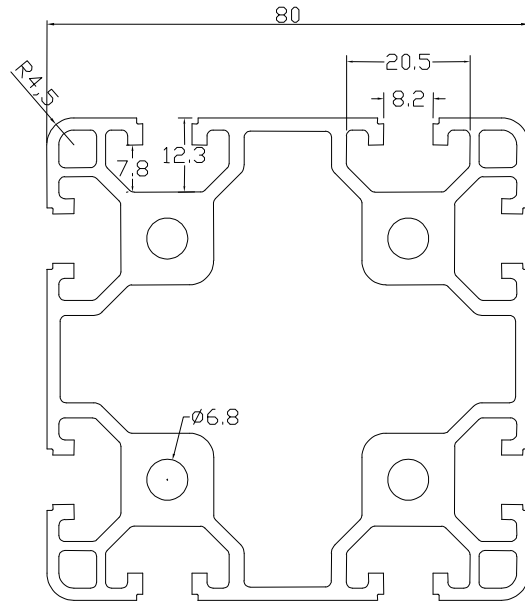


ALU1-40x160



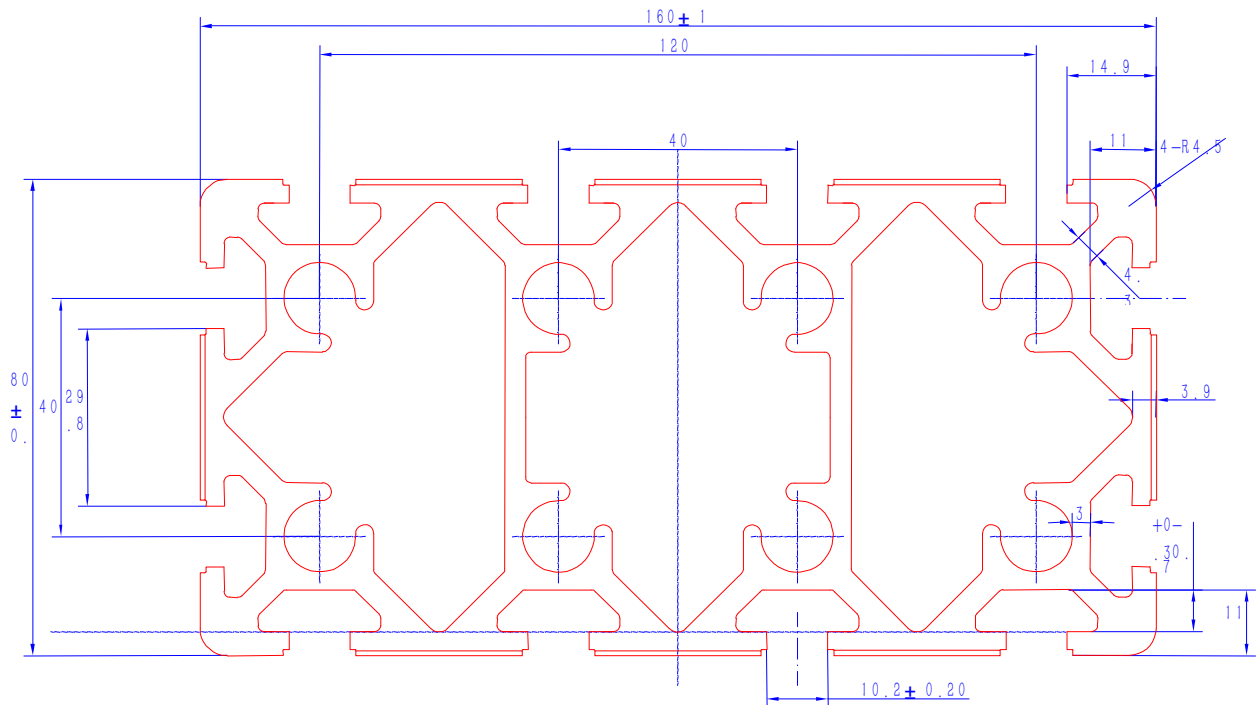
ALU1-45x45N

$I_x = 15.82 \text{ cm}^4$ $I_y = 15.82 \text{ cm}^4$ $Z_x = 6.95 \text{ cm}^3$ $Z_y = 6.95 \text{ cm}^3$
 $m = 2.4 \text{ kg/m}$

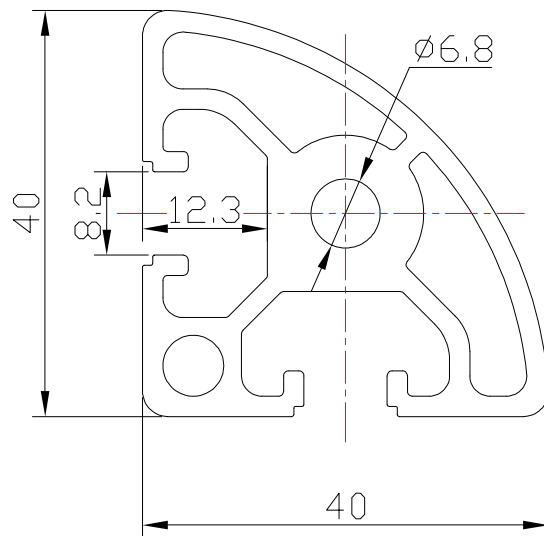


ALU1-80x80

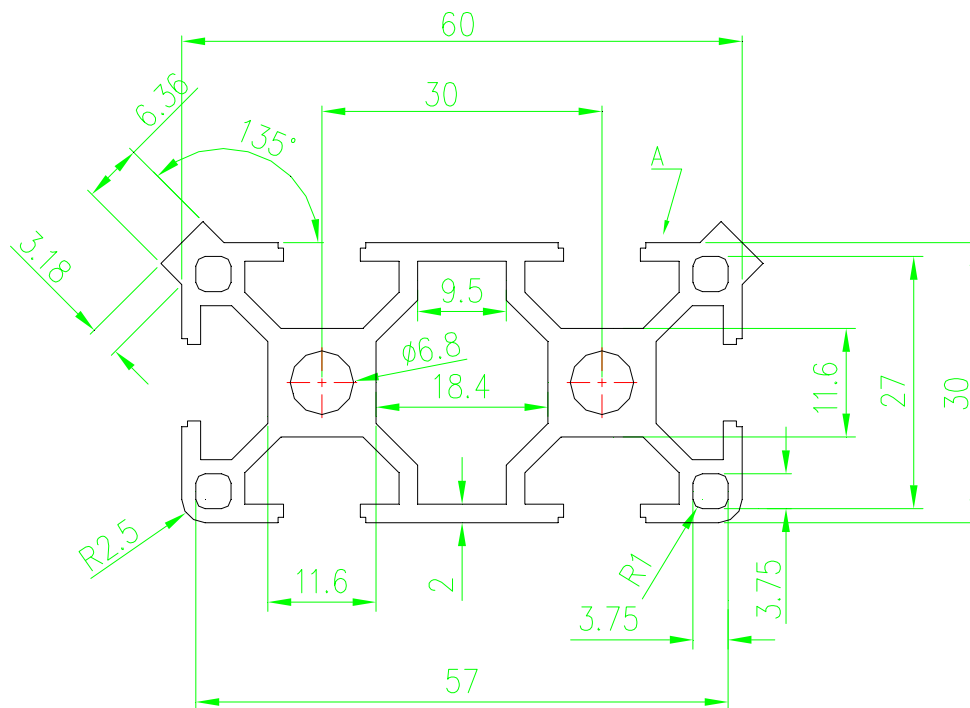
$I_x = 130.1 \text{ cm}^4$ $I_y = 130.1 \text{ cm}^4$ $Z_x = 32.1 \text{ cm}^3$ $Z_y = 32.1 \text{ cm}^3$
 $M = 5.2 \text{ kg/m}$



ALU1-80x160



ALU1-40x40N-R



ALU1-30x60-CNC